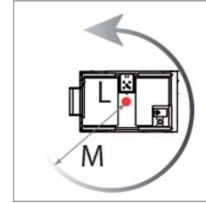
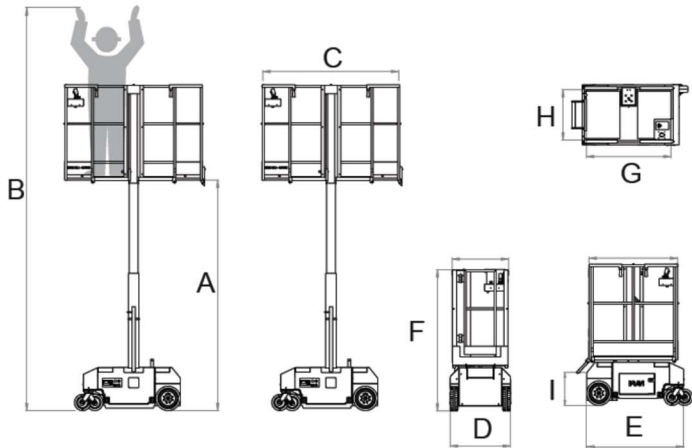
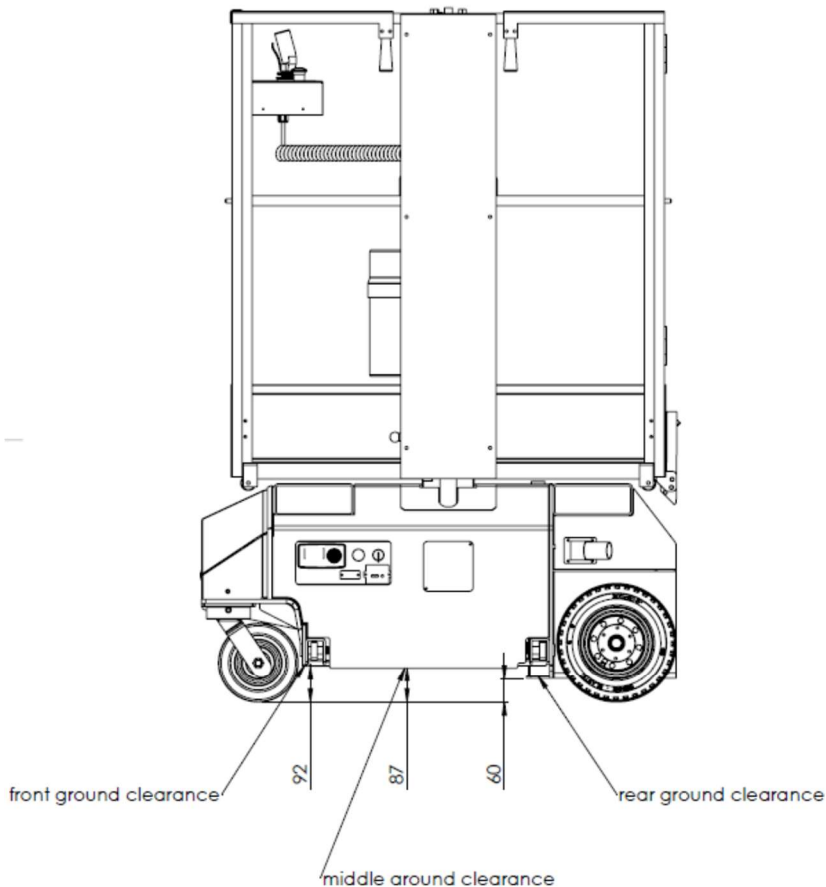


BRAVI

PLATFORMS



| | Metric |
|----------|-----------------------|
| A | 2900 mm |
| B | 4900 mm |
| C | 1710 mm |
| D | 739 mm |
| E | 1192 mm |
| F | 1747 mm |
| G | 1115 mm |
| H | 680 mm |
| I | 400 mm |
| | 180 kg |
| CE | 510 kg |
| ANSI | 550 kg |
| CE | 1 |
| ANSI | 2 |
| | 3 km/h |
| | 0,6 km/h |
| L | Zero |
| M | 1253 mm |
| | 35% |
| | 110/220 V ca 24 Vcc |
| | n° 2 - 12V; 85 Ah@20h |



BRAVI PLATFORMS OFFER